



**UNIVERSAL
ORBITAL
SYSTEMS
PVT. LTD.**

AN ISO 9001 : 2015 CERTIFIED COMPANY

Heat Exchanger U Bend Orbital Weld Head-UBX 19

Application

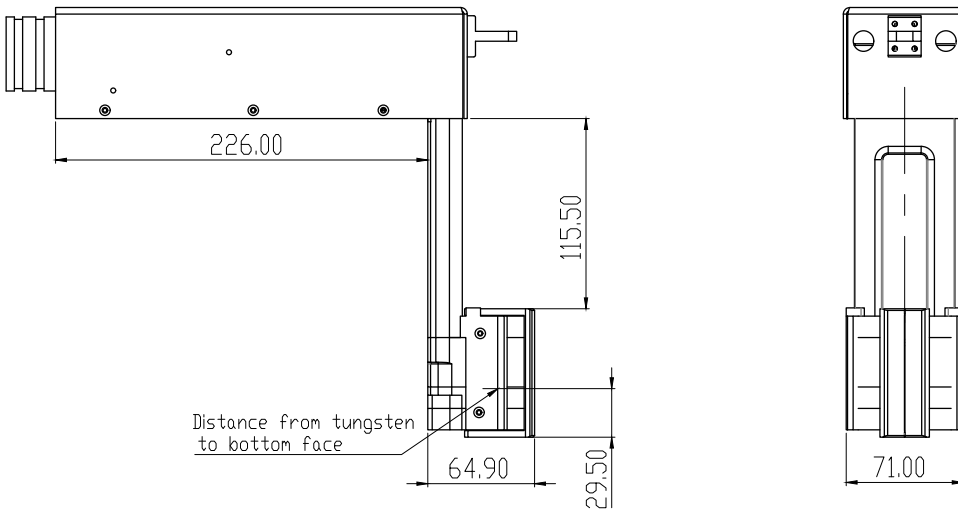


Features

- ◆ Pneumatic Clamping System For Easy Mounting
- ◆ Highly Durable Water Cooled Weld Head
- ◆ Horizontal, vertical And Tilted Welding Positions Are Possible
- ◆ Robust Design
- ◆ Quick And Easy Mounting

Technical Specifications

Tube Diameter	16mm To 19 mm
Welding Current	100A
Welding Process	GTAW
Tungsten Dia	1.6 Mm
Weight	4.5 Kg
Cable Length	8mtr.
Welding Position	Horizontal / Vertical



UBX-19 ASSEMBLY

